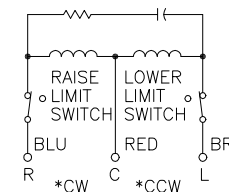


STAMP MOTOR SPEED



MOTOR CIRCUIT
 120V, 50/60 HZ
 * ROTATION AS VIEWED FROM MOTOR END
 MOTOR SPEED: SEE CHART

SPEED (SECONDS)	MODEL NUMBER	DIM. "A"
5	5M2520-2	16.11 [409.1]
15	15M2520-2	16.11 [409.1]
30	30M2520-2	16.62 [422.1]
60	60M2520-2	16.62 [422.1]

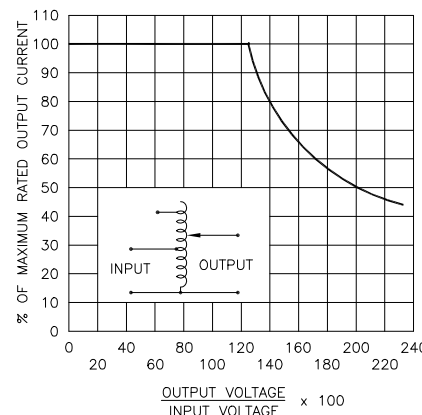


FIGURE A
 MAXIMUM OUTPUT CURRENT OF ANY DUAL INPUT VOLTAGE OR VOLTAGE DOUBLER UNIT OPERATED AT LOWER INPUT VOLTAGE.

MAXIMUM OUTPUT CURRENT IN OUTPUT VOLTAGE RANGE FROM 0 TO 25% ABOVE LINE VOLTAGE. AT HIGHER OUTPUT VOLTAGES, THE OUTPUT CURRENT MUST BE REDUCED ACCORDING TO THE DERATING CURVE FIGURE A.

§ MAXIMUM KVA AT MAXIMUM OUTPUT VOLTAGE AND CORRESPONDING DERATED OUTPUT CURRENT. MAXIMUM KVA FOR LOWER VOLTAGES MAY BE CALCULATED FROM DERATING CURVE FIGURE A.

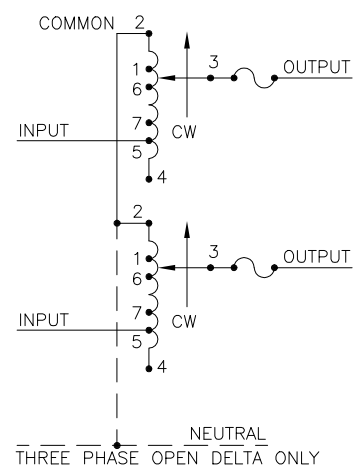
++ LINE TO LINE VOLTAGE.

** REQUIRES ONE 52LAC PARALLELING CHOKE (NOT SUPPLIED).

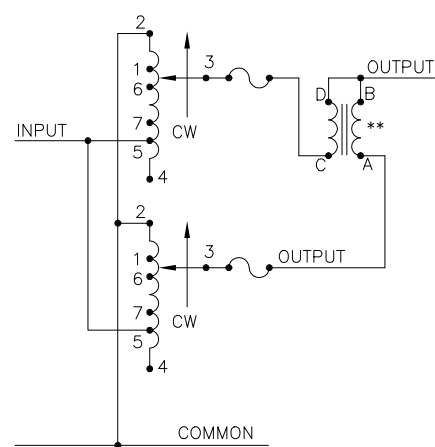
∩ IF GANGED UNITS ARE USED IN A SYSTEM THAT ORDINARILY HAS A COMMON NEUTRAL OR GROUND BETWEEN SOURCE AND LOAD, THE NEUTRAL OR GROUND MUST BE CONNECTED TO THE COMMON TERMINALS OF THE VARIABLE TRANSFORMER ASSEMBLY. IF THE SYSTEM HAS NO NEUTRAL, THE LOAD MUST BE BALANCED OR THE TRANSFORMER WILL BE DAMAGED.

■ JUMPER PROVIDED IN STANDARD COMMON POSITION AND SHOULD BE MOVED OR REMOVED AS REQUIRED.

+ MOTOR DRIVEN UNITS USE TERMINAL CONNECTIONS FOR CCW INCREASING VOLTAGE, AS VIEWED FROM THE BASE END.



SCHEMATIC
 THREE PHASE OPEN DELTA AND SINGLE PHASE SERIES. FUSE RECOMMENDED BUT NOT SUPPLIED



SCHEMATIC
 SINGLE PHASE PARALLEL FUSE RECOMMENDED BUT NOT SUPPLIED

WIRING	SPECIFICATIONS											
	INPUT		OUTPUT				SHAFT ROTATION TO INCREASE VOLTAGE	TERMINAL CONNECTIONS +				
	VOLTS	HERTZ	VOLTS	CONSTANT CURRENT LOAD MAX. AMPS	CONSTANT IMPEDANCE LOAD MAX. KVA	MAX. AMPS		MAX. KVA	MOTOR DRIVEN UNITS USE CCW FOR INCREASING VOLTAGE AS VIEWED FROM BASE END ■			
SINGLE PHASE PARALLEL **	240	50/60	0-240	20	4.80	26	6.20	CW	2-2,4-4	---	4-B	
			0-280	20	5.60	---	---	CCW	2-2,4-4	---	2-B	
	120	50/60	0-280	20#	2.40 §	---	---	CW	1-1,4-4	---	4-B	
			0-280	20#	2.40 §	---	---	CCW	5-5,2-2	---	2-B	
SINGLE PHASE SERIES	480	50/60	0-480	10	4.80	13	6.24	CW	2-2	4-4	3-3	
			0-560	10	5.60	---	---	CCW	4-4	2-2	3-3	
	240	50/60	0-560	10#	2.40 §	---	---	CW	1-1	4-4	3-3	
			0-560	10#	2.40 §	---	---	CCW	5-5	2-2	3-3	
THREE PHASE OPEN DELTA ∩	240	++	50/60	0-240	10	4.20	13	5.40	CW	2-4-2	4-4	3-4-3
				0-280	10	4.85	---	---	CCW	4-2-4	2-2	3-2-3
	120	++	50/60	0-280	10	4.85	---	---	CW	1-4-1	4-4	3-4-3
				0-280	10#	2.10 §	---	---	CCW	5-2-5	2-2	3-2-3

UNLESS OTHERWISE SPECIFIED, TOLERANCE IS # DECIMALS HOLES ANGLES DRAFT XX .0005 .01 1° 1-1/2°

MATERIAL: ALL DIMENSIONS APPLY AFTER PLATING

UNITS IN [mm]

TITLE: SPEC. CONTROL DRAWING
 MOTORIZED VARIABLE XFMR.
 TYPE: M2520-2

STACO ENERGY PRODUCTS CO.
 A COMPONENTS CORPORATION OF AMERICA COMPANY
 DAYTON, OHIO U.S.A.

DRAWN BY: TIM RAU DATE: 2/20/98 FIRST USED ON: DO NOT SCALE DWG. CUSTOMER APPROVAL: DATE:

CHECKER: DATE: WEIGHT APPROX. 60 LBS. CODE IDENT. NO. 83008 DWG. NO. 031-5638

ENGINEER: DATE: SCALE: .5=1 SHEET 1 OF 1