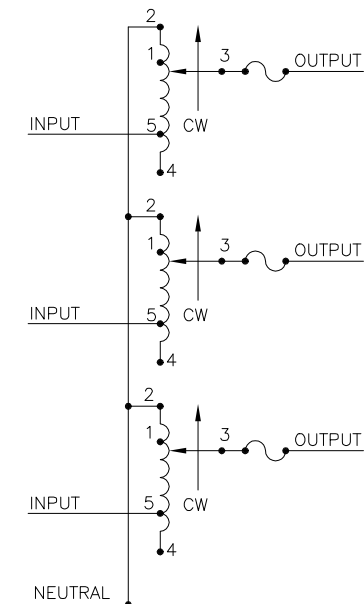
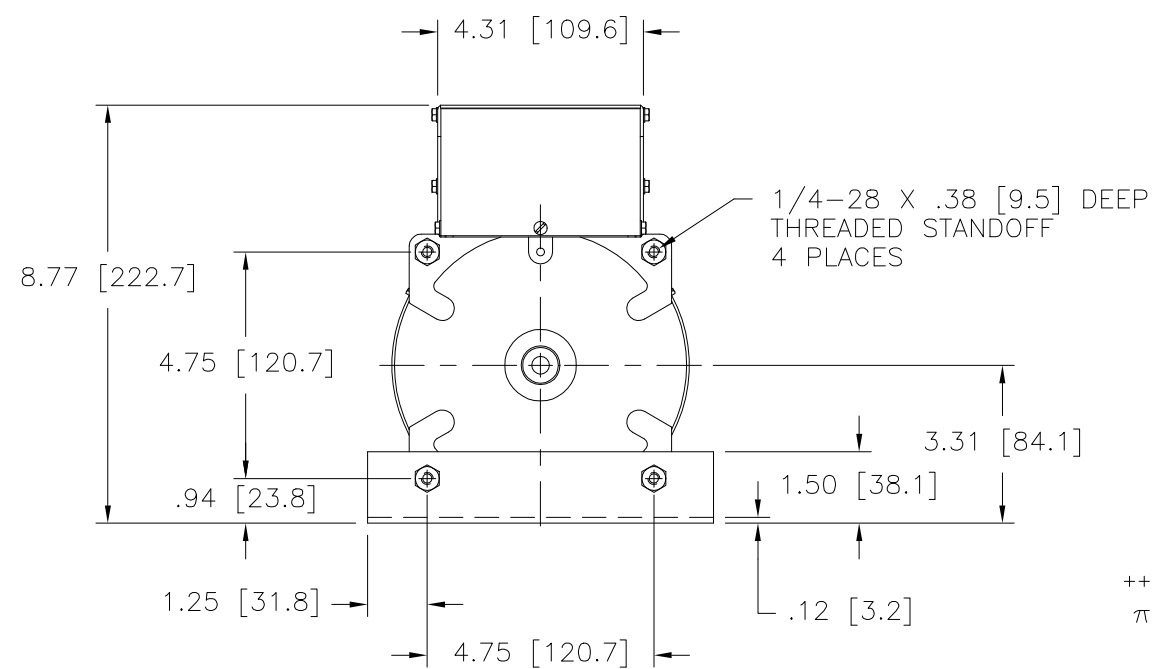


NOTE:
 UNIT IS SUPPLIED WITH A 3.50 [95.2] DIA.
 0-100 GRADUATED DIAL PLATE FOR PANEL MOUNTING.



SCHEMATIC
 THREE PHASE WYE
 FUSES RECOMMENDED BUT NOT SUPPLIED



++ LINE TO LINE VOLTAGE.

⌘ IF GANGED UNITS ARE USED IN A SYSTEM THAT ORDINARILY HAS A COMMON NEUTRAL OR GROUND BETWEEN SOURCE AND LOAD, THE NEUTRAL OR GROUND MUST BE CONNECTED TO THE COMMON TERMINALS OF THE VARIABLE TRANSFORMER ASSEMBLY. IF THE SYSTEM HAS NO NEUTRAL, THE LOAD MUST BE BALANCED OR THE TRANSFORMER WILL BE DAMAGED.

■ JUMPER PROVIDED IN STANDARD COMMON POSITION AND SHOULD BE MOVED OR REMOVED AS REQUIRED.

SPECIFICATIONS											
WIRING	INPUT		OUTPUT				SHAFT ROTATION TO INCREASE VOLTAGE	TERMINAL CONNECTIONS			
	VOLTS	HERTZ	VOLTS	CONSTANT CURRENT LOAD		CONSTANT IMPEDANCE LOAD		FOR INCREASING VOLTAGE AS VIEWED FROM BASE END ■			
				MAX. AMPS	MAX. KVA	MAX. AMPS		MAX. KVA	INPUT	JUMPER	OUTPUT
THREE PHASE WYE ⌘	240	50/60	0-240	15	6.22	20	8.30	CW	2-2-2	4-4-4	3-3-3
								CCW	4-4-4	2-2-2	3-3-3
	60	0-280		15	7.26			CW	1-1-1	4-4-4	3-3-3
									CCW	5-5-5	2-2-2

UNLESS OTHERWISE SPECIFIED, TOLERANCE IS ±
 DECIMALS HOLES ANGLES DRAFT
 .XX .0000 .06 .0002 .01 1° 1-1/2°
 .XXX .005

MATERIAL: ALL DIMENSIONS APPLY AFTER PLATING

UNITS IN [mm]

TITLE: SPEC. CONTROL DRAWING
 VARIABLE TRANSFORMER
 MODEL: 1510CT-3

STACO ENERGY PRODUCTS CO.
 A COMPONENTS CORPORATION OF AMERICA COMPANY
 DAYTON, OHIO U.S.A.

DRAWN BY S.A. SMITH DATE 1/8/2001 FIRST USED ON 1510CT-3 DO NOT SCALE DWG.
 CHECKER DATE WEIGHT APPROX. 55.50 LBS CODE IDENT. NO. 83008
 ENGINEER DATE SCALE .50=1 SHEET 1 OF 1

CUSTOMER APPROVAL DATE

DWG. NO. 031-3675